

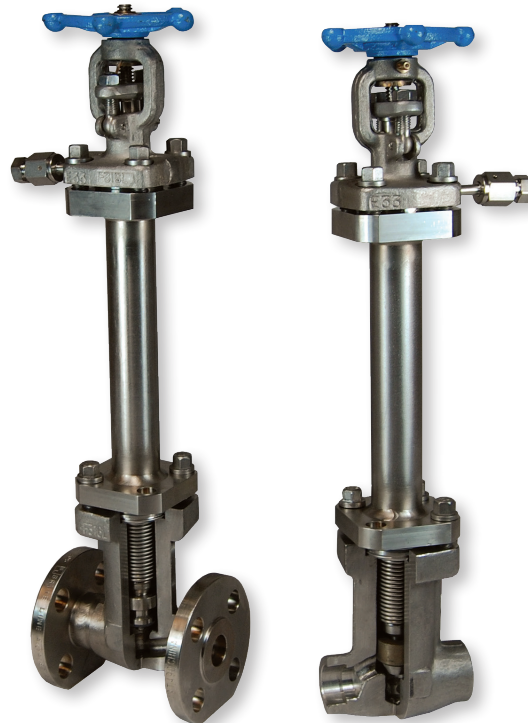


The Right Connection®

Cryogenic Globe Valves

1/2" - 2" Bolted Bonnet

*Globe Valves ANSI Class 150-800: our **bellows technology** keeps corrosive or harmful atmospheric conditions from entering the process.*



Applications:

- Use in cryogenic (to - 325°F, 162°C) applications where leakage into or out of the valve is unacceptable

Features:

- Inconel™ bellows provide longer life and maximum corrosion resistance
- Zero stem leakage eliminates media loss and satisfies environmental regulations
- Three stem seals for safety: metallic bellows, TFE packing, backseat in open position
- Versatile seating arrangements, both hard-faced and soft, are available
- Purge ports on bonnet eliminate icing inside the bellows
- Butt-weld, flanged, socket weld, threaded, and tube end connections
- Fully actuated valves available upon request

Specifications:

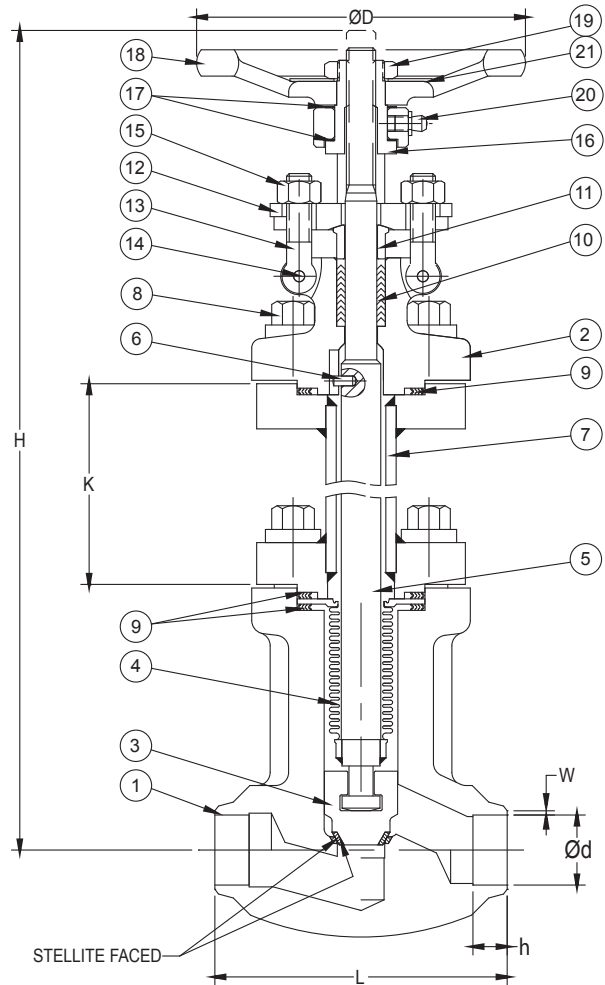
- Vacuum helium leak test with mass spectrometer
- 5 year bellows warranty

Materials

No.	Description	Carbon Steel (C22)
1	body	A182 F316L stainless steel ¹
2	bonnet	A182 F316L stainless steel
3	disk	316 stainless steel ¹
4	bellows assembly	Inconel™ 625 ²
5	stem	316 stainless steel
6	guide pin	304 stainless steel
7	extension	316 stainless steel
8	joint bolt	A193 B8
9	gasket	TFE/316 stainless steel
10	gland packing	TFE
11	gland bushing	304 stainless steel
12	gland plate	316 stainless steel
13	gland bolt	304 stainless steel
14	pin	304 stainless steel
15	hex nut	304 stainless steel
16	yoke sleeve	copper alloy
17	thrust collar	410 stainless steel
18	handwheel	malleable iron
19	handwheel nut	304 stainless steel
20	grease fitting	copper alloy
21	name plate	aluminum

¹ Stellite™ overlay on seating area. Stellite™ is a registered trademark of Thermadyne.

² Inconel™ is a trademark of Huntington Alloys, Inc.




Operating Characteristics and Dimensions Butt Weld Globe Valves

Size ³	d	W	h	L			H	D	K	LIFT	Wt. Lbs	Cv
				CL.150	CL.300	CL.600						
½	0.62	0.06	0.39	4.25	6.00	6.50	16.30	3.94	8.00	0.26	9	2.7
¾	0.82	0.06	0.51	4.62	7.00	7.50	16.30	3.94	8.00	0.26	9	3.1
1	1.05	0.06	0.51	5.00	6.50	8.50	17.30	4.92	8.00	0.26	15	5.4
1½	1.61	0.06	0.51	6.50	7.50	9.50	19.90	6.30	8.00	0.43	29	13.4
2	2.07	0.06	0.63	8.00	8.50	11.50	20.80	7.09	8.00	0.49	41	23.0

³ Sizes 3" - 6" also available

Warning & Safety

 Dixon Eagle valves are designed to work safely for their intended use. Failure to know and understand the intended use or to consider the size, temperature, application, media, pressure, and manufacturers recommendations when selecting the proper valve assembly components can result in accidents and injuries, including death and serious and permanent injuries. Dixon® recommends that all valve assemblies be tested in accordance with ASME and API recommendations and be inspected regularly to ensure that their use remains appropriate and that they are not damaged. At no charge, Dixon® is available to consult, train, and recommend the proper selection and application of all valves we sell. We strongly recommend that distributors and end users make use of Dixon's Testing and Recommendation Services. Contact Dixon® to learn more.

Dixon Eagle

ph 713.678.4291 • fx 713.678.8105
 eaglesales@dixonvalve.com
 dixonvalve.com

